

AZUD LUXON

AZUD LUXON LCA

Automatic hydraulic screen filters suitable for all applications, and available in a wide range of micron sizes, all with the same high quality guarantee of AZUD.



ADVANTAGES

- ✓ **Energy Efficient:** The consumption of water in the flushing cycle is minimal.
- ✓ **Wide selection of screens:** Filtration degrees 80, 100, 125, 200, 300, 500 and 1000 micron.
- ✓ **Versatility:** Inlet/Outlet from 2" to 10" // 50-250 mm.
- ✓ **Resistance:** Temperatures to 60 °C (140 °F).
- ✓ **Large screen area:** Up to 7200 cm² (1116 in²).
- ✓ **Resistant material:** The screen is manufactured in high quality stainless steel.
- ✓ **Time saving:** The filtration process and the flushing cycle occur simultaneously.
- ✓ **Easy installation:** The filters are delivered to be installed.

TECHNOLOGY

AZUD LUXON filters continue to supply filtered water without interruption during the flushing cycle.

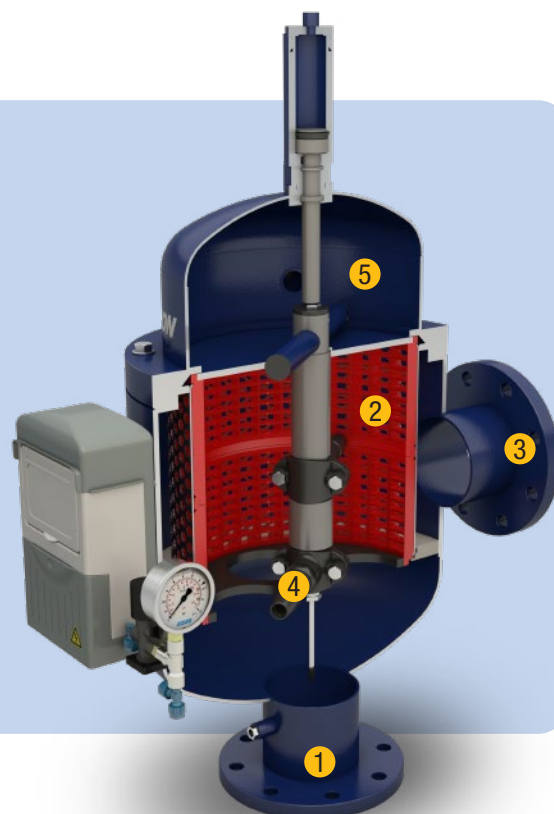
The water flows through the inlet (1) and enters the inside of the filter element.

The water then passes through the screen (2), and the particles are retained on the inside of the filter element (screen). The filtered water then flows out through the outlet (3).

When the pressure differential from inlet to

outlet of the filter reaches the pre-selected level the flushing cycle starts (ΔP). A hydraulic valve opens in the drain port, which initiates suction in the inner nozzles (4). This, along with the helical movement up and down the screen sucks the captured particles into the waste flow, and this is expelled out the drain port (5).

The length of the flush cycle is pre-determined by the control unit. When the cycle is complete the flush valve closes and the flushing ends. The flushing process uses a minimal amount of water.



AZUD LUXON

AZUD LUXON LCA

Model	Support of screen	DN CONNECTION				Filtration Surface	
		Inlet - Outlet Flange		Drainage Female - Thread		cm ²	in ²
		"	mm	"	mm		
AZUD LUXON LCA 1650 R/2	PP	2"	50	1 1/2"	40	1600	250
AZUD LUXON LCA 1650 R/3	PP	3"	75	1 1/2"	40	1600	250
AZUD LUXON LCA 2400 M/4	PP	4"	100	1"	25	2400	370
AZUD LUXON LCA 4800 M/4	PP	4"	100	2"	50	4800	745
AZUD LUXON LCA 4800 M/6	PP	6"	150	2"	50	4800	745

All models are with flange connections DIN 2576
Ask for the rest of configurations in www.azud.com

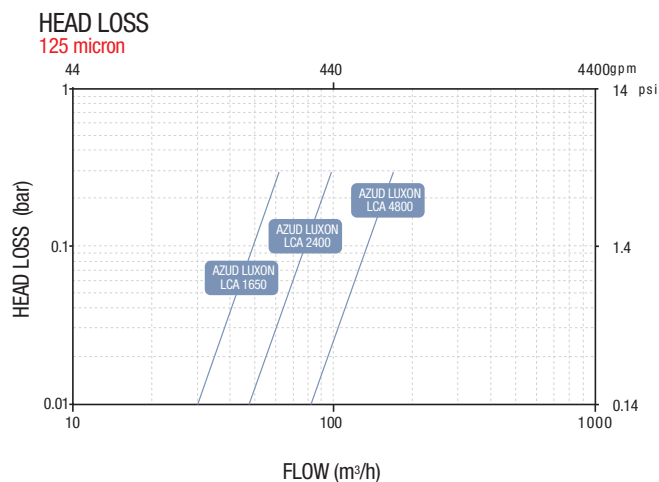
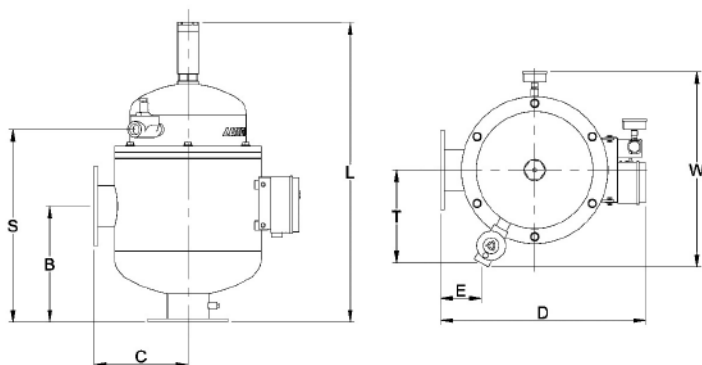
MATERIALS OF CONSTRUCTION

Housing-Lid	Epoxy-polyester coated carbon steel (S-235-JR)
Filtration Element	Stainless Steel 316L screen Molded PP support structure
Cleaning Mechanism	PVC
Seals	NBR
Drainage Valve	Reinforced polyamide

Battery or 220 V AC control unit included.
Max. Pressure 10 bar / 145 psi • Min. Pressure 2.5 bar / 36.3 psi
Max. Temperature 60 °C / 140 °F
5 < pH < 9

Model	Support of screen	CONNECTION		FILTRATION				FLUSHING CYCLE				
		Inlet - Outlet Flange		Filtration Surface		Max. flow		Flow rate		Time	Volume	
		"	mm	cm ²	in ²	m ³ /h	gpm	l/s	gpm	s	l	gal
AZUD LUXON LCA 1650 R/2	PP	2"	50	1600	250	30	132	2.8	44	15	42	11.1
AZUD LUXON LCA 1650 R/3	PP	3"	75	1600	250	50	220	2.8	44	15	42	11.1
AZUD LUXON LCA 2400 M/4	PP	4"	100	2400	370	90	396	2.8	44	18	50.4	13.3
AZUD LUXON LCA 4800 M/4	PP	4"	100	4800	745	90	396	5.6	89	20	112	29.6
AZUD LUXON LCA 4800 M/6	PP	6"	150	4800	745	170	748	5.6	89	20	112	29.6

The flow rate given by filter conditions the frequency of the flushing activation.
Maximum recommended flow rate: 125 micron and water good quality.
Min. flushing pressure: 2.5 bar / 36.3 psi in outlet manifold.
Ask for other filtration grades.



Model	DIMENSIONS														WEIGHT					
	L		W		D		B		S		C		E		T		Full filter Weight		Empty filter Weight	
	mm	"	mm	"	mm	"	mm	"	mm	"	mm	"	mm	"	mm	"	kg	lb	kg	lb
AZUD LUXON LCA 1650 R/2	860	33.9	580	22.8	435	17.1	300	11.8	554	21.8	260	10.2	260	10.2	323	12.7	78	172	34	75
AZUD LUXON LCA 1650 R/3	860	33.9	580	22.8	435	17.1	300	11.8	554	21.8	260	10.2	260	10.2	323	12.7	80	177	36	79
AZUD LUXON LCA 2400 M/4	870	34.3	585	23	610	24	350	13.8	562	22.1	290	11.4	116	4.6	302	11.9	173	381	60	132
AZUD LUXON LCA 4800 M/4	1145	45.1	685	27	610	24	500	19.7	880	34.6	290	11.4	62	2.4	395	15.5	252	556	81	179
AZUD LUXON LCA 4800 M/6	1145	45.1	685	27	610	24	500	19.7	880	34.6	290	11.4	62	2.4	395	15.5	252	556	81	179