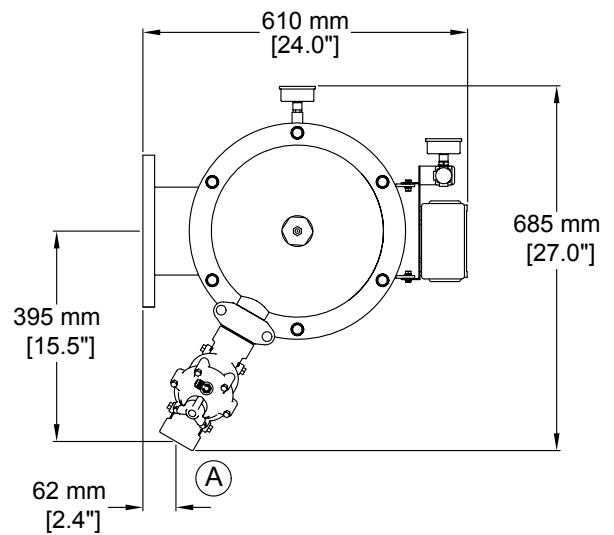


- (A) 2" Drainage manifold
Colector drenaje 2"
- (B) 6" Inlet manifold - DIN 2576 Flanged
Colector entrada 6" - Brida DIN 2576
- (C) 6" Outlet manifold - DIN 2576 Flanged
Colector salida 6" - Brida DIN 2576



AZUD

SCALE
S/E
A4 FORMAT

AZUD LUXON LCA 4800 M/6

RESPONS.: M. Martínez

REVISION: 03

UNITS: mm [in]

DATE: 05/06/2017

THE PRESENT REVISION CANCELS THE PREVIOUS ONES. THE PERSON RESPONSIBLE OF THIS DRAWING IS UNCONNECTED WITH THE HARMS PRODUCED FOR AN IMPROPER USE OF THE CANCELLED REVISIONS.
LA PRESENTE REVISIÓN ANULA LAS ANTERIORES. EL RESPONSABLE DE ESTE PLANO ES AJENO A LOS PERJUICIOS OCASIONADOS POR EL USO INDEBIDO DE REVISIONES ANULADAS