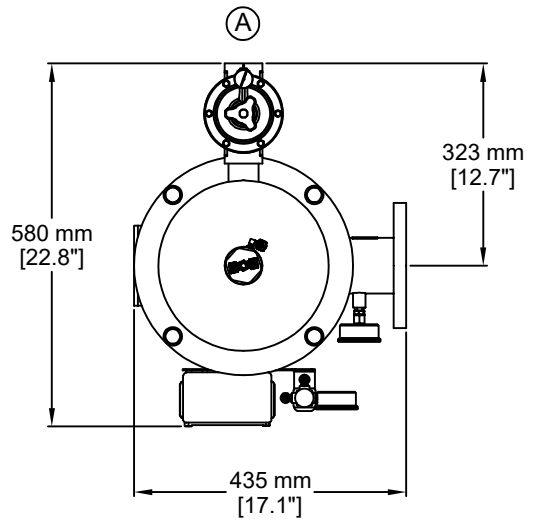


- Ⓐ 1 1/2" Drainage manifold  
**Colector drenaje 1 1/2"**
- Ⓑ 3" Inlet manifold - DIN 2576 Flanged  
**Colector entrada 3" - Brida DIN 2576**
- Ⓒ 3" Outlet manifold - DIN 2576 Flanged  
**Colector salida 3" - Brida DIN 2576**



**AZUD**

SCALE  
S/E  
A4 FORMAT

AZUD LUXON LCA 1650 R/3  
AZUD LUXON LCA 1650 M/3

RESPONS.: M. Martínez

REVISION: 06

UNITS: mm [in]

DATE: 19/05/2022